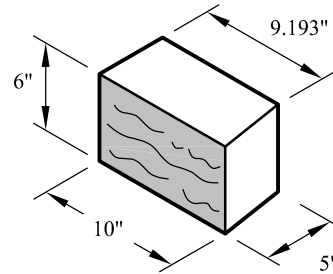
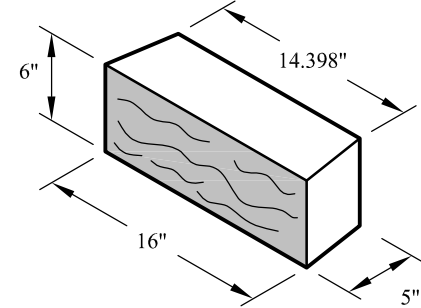


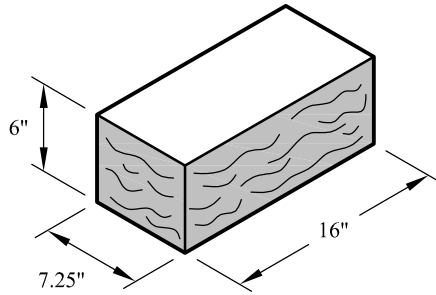
6x6x5 UNIT



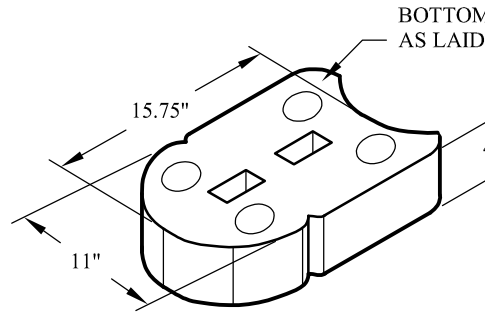
6x10x5 UNIT



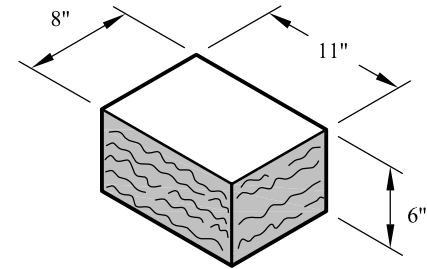
6x16x5 UNIT



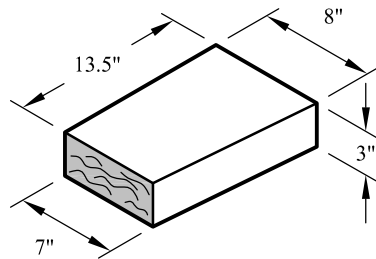
COLUMN UNIT



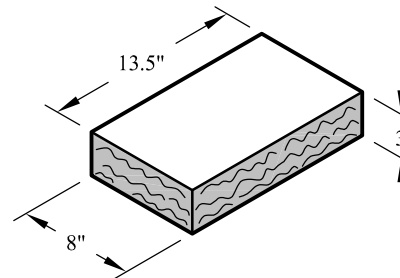
TORPEDO™ BASE BLOCK



WALL END UNIT



CAP UNIT



CAP END UNIT



Anchor Wall Systems, Inc.  
5959 Baker Road, Suite 390  
Minnetonka, MN 55345

© 2013 Anchor Wall Systems, Inc.  
® and ™ Anchor Wall Systems, Inc.

Drawn By:	SB
Date:	11/26/2013
Scale:	None

Drawing Title:  
**Brisa® 6" and Brisa® Random Freestanding Wall Systems**  
**Individual Block Details**

Typical Details For  
Segmental Freestanding Walls